

SVTS C Series

Through-bore Slip Rings

Contents

Model	Throuh-bore	Page
SVTS C 01	3mm (0.12 inch)	42
SVTS C 02	4.5mm (0.18 inch)	42
SVTS C 03	12.7mm (0.50 inch)	43
SVTS C 04	25.4mm (1 inch)	44
SVTS C 04 - Ethernet +NEW	25.4mm (1 inch)	45
SVTS C 05	38.1mm (1.50 inch)	46
SVTS C 05 - Ethernet	38.1mm (1.50 inch)	46
SVTS C 05 - Single pneumatic passage	-	47
SVTS C 06	50mm (1.97 inch)	48
SVTS C 06 - Ethernet +NEW	50mm (1.97 inch)	49
SVTS C 07	60mm (2.36 inch)	50
SVTS C 08	70mm (2.76 inch)	51
SVTS C 09	80mm (3.15 inch)	52
SVTS C 10	90mm (3.54 inch)	53
SVTS C 11	100mm (3.94 inch)	54

SVTS C Series

Through-bore Slip Rings



Many customisations



Through-bore



Power, signals & fieldbus



The hollow shaft Slip Rings C Series provides an economical readily available solution when a compact through-bore configuration is required to be easily mounted on the customers' mechanics. Available in a wide range of sizes and models starting from 3 mm up to over 100 mm through-bore diameter. The use of fibre brush technology and the ability to use gold-gold technology for signal circuits ensure long life and low electrical noise allowing high data rate field bus transmission. The extreme flexibility of the C series rotary joints also makes it possible to customise configurations, such as for the use of special cables or connectors, at customer's request.

Benefits

Transmission of electric power/signals and fieldbuses in one unit

Mountable on the shaft

Many sizes

Many customisations

Combinable with fluidic rotary joints and FORJ

Cost-effective

Main applications

Packaging

Automatic machines

Filling machines

Capping machines

Labelling machines

Converting machines

Machine tools

Rotary tables


Robots


Palletisers

Medical / pharmaceutical

Cable reels

Product code (go to page 9 for the detailed coding system)

SVTS C   -  -  -   /   -     /     -   -   

-  Series
-  Model
-  IP grade¹
-  Flange type
-  Power circuits
-  Signal circuits
-  Cable length (brush side)
-  Cable length (ring side)
-  Temperature range²
-  Special options³

¹ IP51 [S]; IP54 [T]; IP65 [U]

² Standard [ST]; Extended [ET]

³ Pneumatic Ø6mm [OP1]; pneumatic Ø10mm [OP2]; Ethernet 100BaseT [E1M]; Ethernet 1000BaseT [E1G]

Features

Current	2A: AWG26 5A: AWG22 15A: AWG14 20A:AWG14
Voltage	
Power	600 VAC / 600 VDC
Signals	240 VAC / 240 VDC
Cables	Tin plated (power circuits); silver plated (signal circuits) PTFE insulated / colour coded
Cables length	Standard: 500mm*; custom cable length increase possible as multiples of 500mm*
Dielectric strength	
Power	1500 VAC @ 60Hz @ 60 sec
Signals	500 VAC @ 60Hz @ 60 sec
Insulation resistance	
Power	> 1000 MΩ / 500 VDC
Signals	> 500 MΩ / 500 VDC
Dynamic contact resistance	< 10 mΩ
Nominal speed	up to 500 rpm (others on request)
Bearings	Steel
Housing	ABS; Alluminium
Temperature	-20°C / +80°C (-40°C as option)
Protection	IP51 (IP54 and IP65 as option)
Expected lifetime	10 ⁸ revolutions** (depending on speed, environmental conditions and size)

*SVTS C 01, SVTS C 02: 250mm

**SVTS C01, SVTS C 02: 10⁷ revolutions

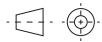
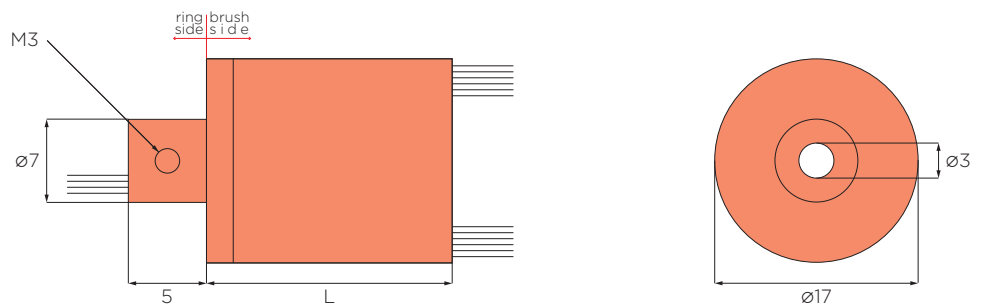
Combinations

Electric	Fieldbus	Fluidic (combined solutions)
Signals	Ethernet	Air
	Profinet	Oil
	Canbus	Gas
	RS 232	Water

Customizations

Cables	Mechanical design	Flange
Materials	Treatments	Cable exits

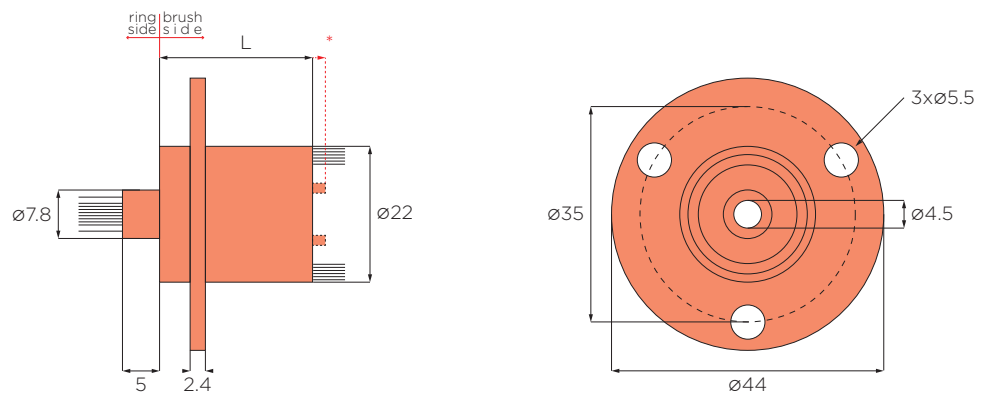
SVTS C 01



Custom cable length increase possible as multiples of 250mm

Model	Number of circuits			L	Color code p. 82
	Total	Power	Signals 2A		
SVTS C 01-S-A-00/02	2	-	2	13.3	CC 11
SVTS C 01-S-A-00/03	3	-	3	21	CC 11
SVTS C 01-S-A-00/06	6	-	6	21	CC 11
SVTS C 01-S-A-00/08	8	-	8	21	CC 11

SVTS C 02

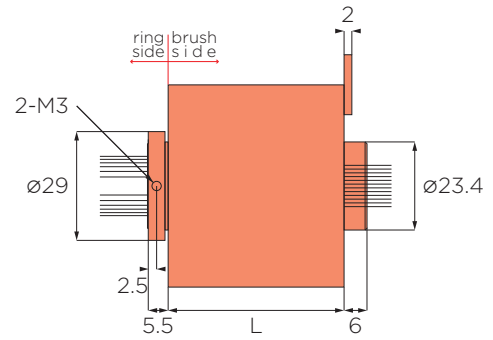
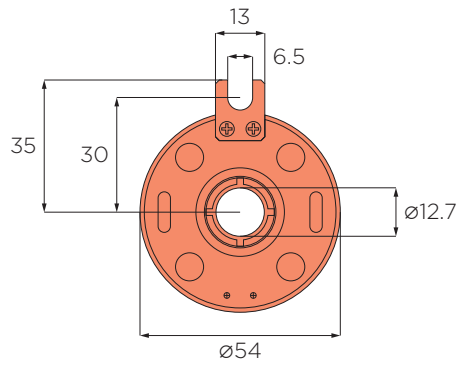


* SVTS C 02-S-A-00/12
Custom cable length increase possible as multiples of 250mm

Model	Number of circuits			L	Color code p. 82
	Total	Power	Signals 2A		
SVTS C 02-S-A-00/02	2	-	2	19.4	CC 1
SVTS C 02-S-A-00/06	6	-	6	19.4	CC 1
SVTS C 02-S-A-00/08	8	-	8	19.4	CC 1
SVTS C 02-S-A-00/12	12	-	12	26.6 *	CC 1

All dimensions in millimeters, unless otherwise specified

SVTS C 03



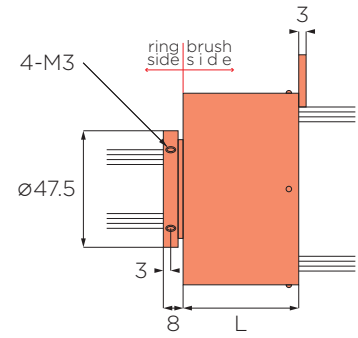
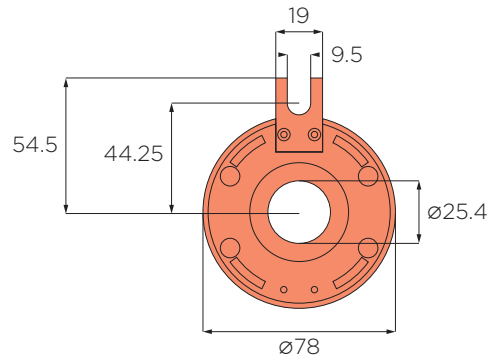
Custom cable length increase possible as multiples of 500mm

Model	Number of circuits			L		Color code	
	Total	Power	Signals 5A	IP51	IP65	IP51 p. 82	IP65
SVTS C 03-X-A-00/06	6	-	6	33.5	37.5	CC 5	CC 7
SVTS C 03-X-A-00/12	12	-	12	47.5	51.5	CC 5	CC 7
SVTS C 03-X-A-00/18	18	-	18	61.5	64.5	CC 5	CC 7
SVTS C 03-X-A-00/24	24	-	24	75.5	79.5	CC 5	CC 7

All dimensions in millimeters, unless otherwise specified

Specifications subject to change.

SVTS C 04



Custom cable length increase possible as multiples of 500mm

Model	Number of circuits			L		Color code	
	Total	Power	Signals	IP51	IP65	IP51	IP65
		15A	2A			p. 82	
SVTS C 04-X-A-06/00	6	6	-	47	62	CC 5	CC 7
SVTS C 04-X-A-00/12	12	-	12	47	62	CC 5	CC 7
SVTS C 04-X-A-12/00	12	12	-	71	86	CC 5	CC 7
SVTS C 04-X-A-06/12	18	6	12	71	86	CC 5	CC 7
SVTS C 04-X-A-00/24	24	-	24	71	86	CC 5	CC 7
SVTS C 04-X-A-18/00	18	18	-	95	110	CC 5	CC 7
SVTS C 04-X-A-12/12	24	12	12	95	110	CC 5	CC 7
SVTS C 04-X-A-06/24	30	6	24	95	110	CC 5	CC 7
SVTS C 04-X-A-00/36	36	-	36	95	110	CC 5	CC 7
SVTS C 04-X-A-24/00	24	24	-	119	134	CC 5	CC 7
SVTS C 04-X-A-18/12	30	18	12	119	134	CC 5	CC 7
SVTS C 04-X-A-12/24	36	12	24	119	134	CC 5	CC 7
SVTS C 04-X-A-06/36	42	6	36	119	134	CC 5	CC 7
SVTS C 04-X-A-00/48	48	-	48	119	134	CC 5	CC 7

All dimensions in millimeters, unless otherwise specified

Ethernet option*

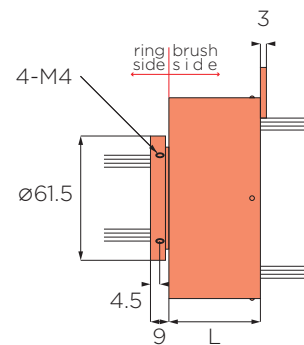
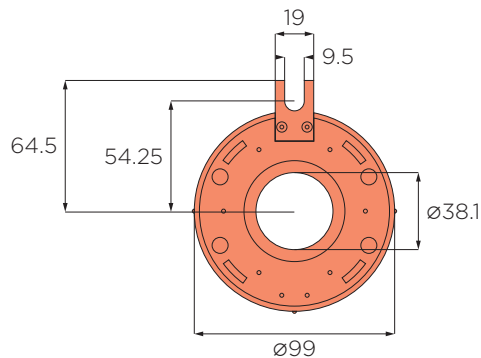
Model	Number of circuits			Ethernet	L		Color code	
	Total	Power 15A	Signal 2A		IP51	IP65	IP51 p. 82	IP65
SVTS C 04-x-A-00/00-...-E1M	5	-	-	100BaseT	47	62	CC 5	CC 7
SVTS C 04-x-A-06/00-...-E1M	11	6	-	100BaseT	71	86	CC 5	CC 7
SVTS C 04-x-A-00/12-...-E1M	17	-	12	100BaseT	71	86	CC 5	CC 7
SVTS C 04-x-A-12/00-...-E1M	17	12	-	100BaseT	95	110	CC 5	CC 7
SVTS C 04-x-A-06/12-...-E1M	23	6	12	100BaseT	95	110	CC 5	CC 7
SVTS C 04-x-A-00/24-...-E1M	29	-	24	100BaseT	95	110	CC 5	CC 7
SVTS C 04-x-A-18/00-...-E1M	23	18	-	100BaseT	119	134	CC 5	CC 7
SVTS C 04-x-A-12/12-...-E1M	29	12	12	100BaseT	119	134	CC 5	CC 7
SVTS C 04-x-A-06/24-...-E1M	35	6	24	100BaseT	119	134	CC 5	CC 7
SVTS C 04-x-A-00/36-...-E1M	41	-	36	100BaseT	119	134	CC 5	CC 7
SVTS C 04-x-A-00/00-...-E1G	14	9	-	1000BaseT	71	86	CC 5	CC 7
SVTS C 04-x-A-06/00-...-E1G	15	6	-	1000BaseT	95	110	CC 5	CC 7
SVTS C 04-x-A-00/12-...-E1G	21	-	12	1000BaseT	95	110	CC 5	CC 7
SVTS C 04-x-A-12/00-...-E1G	21	12	-	1000BaseT	119	134	CC 5	CC 7
SVTS C 04-x-A-06/12-...-E1G	27	6	12	1000BaseT	119	134	CC 5	CC 7
SVTS C 04-x-A-00/24-...-E1G	33	-	24	1000BaseT	119	134	CC 5	CC 7

*CAT5e Ethernet cable and CAT6 RJ45 connectors included

All dimensions in millimeters, unless otherwise specified

servotecnica
THROUGH-BORE

SVTS C 05



Custom cable length increase possible as multiples of 500mm

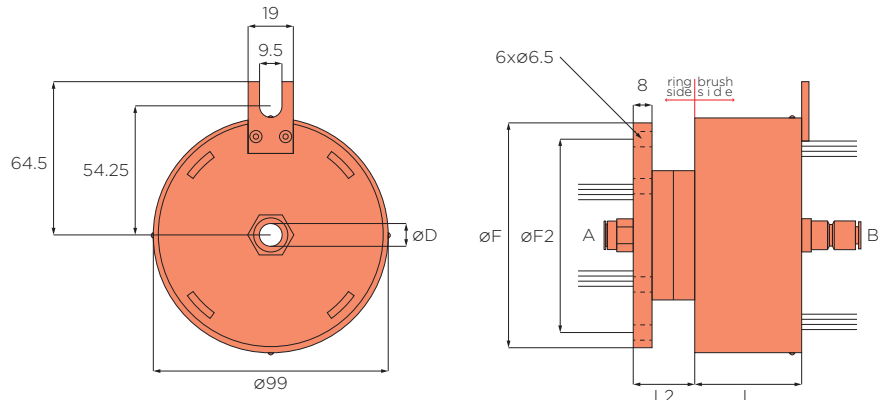
Model	Number of circuits			L		Color code	
	Total	Power 15A	Signals 2A	IP51	IP65	IP51 p. 82	IP65
SVTS C 05-X-A-06/00	6	6	-	45	65	CC 5	CC 7
SVTS C 05-X-A-00/12	12	-	12	45	65	CC 5	CC 7
SVTS C 05-X-A-12/00	12	12	-	69	89	CC 5	CC 7
SVTS C 05-X-A-06/12	18	6	12	69	89	CC 5	CC 7
SVTS C 05-X-A-00/24	24	-	24	69	89	CC 5	CC 7
SVTS C 05-X-A-18/00	18	18	-	93	113	CC 5	CC 7
SVTS C 05-X-A-12/12	24	12	12	93	113	CC 5	CC 7
SVTS C 05-X-A-06/24	30	6	24	93	113	CC 5	CC 7
SVTS C 05-X-A-00/36	36	-	36	93	113	CC 5	CC 7
SVTS C 05-X-A-24/00	24	24	-	117	137	CC 5	CC 7
SVTS C 05-X-A-18/12	30	18	12	117	137	CC 5	CC 7
SVTS C 05-X-A-12/24	36	12	24	117	137	CC 5	CC 7
SVTS C 05-X-A-06/36	42	6	36	117	137	CC 5	CC 7
SVTS C 05-X-A-00/48	48	-	48	117	137	CC 5	CC 7

Ethernet option*

Model	Number of circuits				L		Wiring color code	
	Total	Power 15A	Signal 2A	Ethernet	IP51	IP65	IP51 p. 82	IP65
SVTS C 05-x-A-00/00-...-E1M	5	-	-	100BaseT	45	65	CC 5	CC 7
SVTS C 05-x-A-06/00-...-E1M	11	6	-	100BaseT	69	89	CC 5	CC 7
SVTS C 05-x-A-00/12-...-E1M	17	-	12	100BaseT	69	89	CC 5	CC 7
SVTS C 05-x-A-12/00-...-E1M	17	12	-	100BaseT	93	113	CC 5	CC 7
SVTS C 05-x-A-06/12-...-E1M	23	6	12	100BaseT	93	113	CC 5	CC 7
SVTS C 05-x-A-00/24-...-E1M	29	-	24	100BaseT	93	113	CC 5	CC 7
SVTS C 05-x-A-18/00-...-E1M	23	18	-	100BaseT	117.5	137.5	CC 5	CC 7
SVTS C 05-x-A-12/12-...-E1M	29	12	12	100BaseT	117.5	137.5	CC 5	CC 7
SVTS C 05-x-A-06/24-...-E1M	35	6	24	100BaseT	117.5	137.5	CC 5	CC 7
SVTS C 05-x-A-00/36-...-E1M	41	-	36	100BaseT	117.5	137.5	CC 5	CC 7
SVTS C 05-x-A-24/00-...-E1M	29	24	-	100BaseT	141	161	CC 5	CC 7
SVTS C 05-x-A-18/12-...-E1M	35	18	12	100BaseT	141	161	CC 5	CC 7
SVTS C 05-x-A-12/24-...-E1M	41	12	24	100BaseT	141	161	CC 5	CC 7
SVTS C 05-x-A-06/36-...-E1M	47	6	36	100BaseT	141	161	CC 5	CC 7
SVTS C 05-x-A-00/48-...-E1M	53	-	48	100BaseT	141	161	CC 5	CC 7
SVTS C 05-x-A-00/00-...-E1G	18	9	-	1000BaseT	69	89	CC 5	CC 7
SVTS C 05-x-A-06/00-...-E1G	15	6	-	1000BaseT	93	113	CC 5	CC 7
SVTS C 05-x-A-00/12-...-E1G	21	-	12	1000BaseT	93	113	CC 5	CC 7
SVTS C 05-x-A-12/00-...-E1G	21	12	-	1000BaseT	117.5	137.5	CC 5	CC 7
SVTS C 05-x-A-06/12-...-E1G	27	6	12	1000BaseT	117.5	137.5	CC 5	CC 7
SVTS C 05-x-A-00/24-...-E1G	33	-	24	1000BaseT	117.5	137.5	CC 5	CC 7

*CAT5e Ethernet cable and CAT6 RJ45 connectors included

Single pneumatic passage option

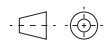
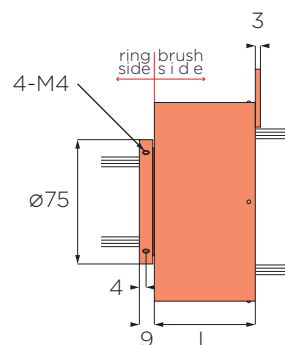
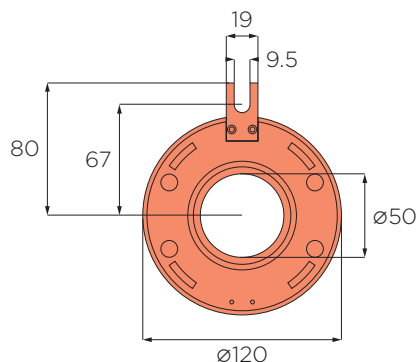


Custom cable length increase possible as multiples of 500mm

Model	N. of circuits			Dimensions								Color code		
	Total	Power Signal		L				L2				IP51	IP65	
		15A	2A	IP51	IP65	IP51	IP65	D	F	F2	F2			IP51
SVTS C 05-X-A-06/00-...-OP1	6	6	-	45	65	26	14	6	95	130	81	116	CC 5	CC 7
SVTS C 05-X-A-00/12-...-OP1	12	-	12	45	65	26	14	6	95	130	81	116	CC 5	CC 7
SVTS C 05-X-A-12/00-...-OP1	12	12	-	69	89	26	14	6	95	130	81	116	CC 5	CC 7
SVTS C 05-X-A-06/12-...-OP1	18	6	12	69	89	26	14	6	95	130	81	116	CC 5	CC 7
SVTS C 05-X-A-00/24-...-OP1	24	-	24	69	89	26	14	6	95	130	81	116	CC 5	CC 7
SVTS C 05-X-A-18/00-...-OP1	18	18	-	93	113	26	14	6	95	130	81	116	CC 5	CC 7
SVTS C 05-X-A-12/12-...-OP1	24	12	12	93	113	26	14	6	95	130	81	116	CC 5	CC 7
SVTS C 05-X-A-06/24-...-OP1	30	6	24	93	113	26	14	6	95	130	81	116	CC 5	CC 7
SVTS C 05-X-A-00/36-...-OP1	36	0	36	93	113	26	14	6	95	130	81	116	CC 5	CC 7
SVTS C 05-X-A-24/00-...-OP1	24	24	-	117.5	137.5	26	14	6	95	130	81	116	CC 5	CC 7
SVTS C 05-X-A-18/12-...-OP1	30	18	12	117.5	137.5	26	14	6	95	130	81	116	CC 5	CC 7
SVTS C 05-X-A-12/24-...-OP1	36	12	24	117.5	137.5	26	14	6	95	130	81	116	CC 5	CC 7
SVTS C 05-X-A-06/36-...-OP1	42	6	36	117.5	137.5	26	14	6	95	130	81	116	CC 5	CC 7
SVTS C 05-X-A-00/48-...-OP1	48	-	48	117.5	137.5	26	14	6	95	130	81	116	CC 5	CC 7
SVTS C 05-X-A-06/00-...-OP2	6	6	-	45	65	26	14	10	95	130	81	116	CC 5	CC 7
SVTS C 05-X-A-00/12-...-OP2	12	-	12	45	65	26	14	10	95	130	81	116	CC 5	CC 7
SVTS C 05-X-A-12/00-...-OP2	12	12	-	69	89	26	14	10	95	130	81	116	CC 5	CC 7
SVTS C 05-X-A-06/12-...-OP2	18	6	12	69	89	26	14	10	95	130	81	116	CC 5	CC 7
SVTS C 05-X-A-00/24-...-OP2	24	-	24	69	89	26	14	10	95	130	81	116	CC 5	CC 7
SVTS C 05-X-A-18/00-...-OP2	18	18	-	93	113	26	14	10	95	130	81	116	CC 5	CC 7
SVTS C 05-X-A-12/12-...-OP2	24	12	12	93	113	26	14	10	95	130	81	116	CC 5	CC 7
SVTS C 05-X-A-06/24-...-OP2	30	6	24	93	113	26	14	10	95	130	81	116	CC 5	CC 7
SVTS C 05-X-A-00/36-...-OP2	36	-	36	93	113	26	14	10	95	130	81	116	CC 5	CC 7
SVTS C 05-X-A-24/00-...-OP2	24	24	-	117.5	137.5	26	14	10	95	130	81	116	CC 5	CC 7
SVTS C 05-X-A-18/12-...-OP2	30	18	12	117.5	137.5	26	14	10	95	130	81	116	CC 5	CC 7
SVTS C 05-X-A-12/24-...-OP2	36	12	24	117.5	137.5	26	14	10	95	130	81	116	CC 5	CC 7
SVTS C 05-X-A-06/36-...-OP2	42	6	36	117.5	137.5	26	14	10	95	130	81	116	CC 5	CC 7
SVTS C 05-X-A-00/48-...-OP2	48	-	48	117.5	137.5	26	14	10	95	130	81	116	CC 5	CC 7

All dimensions in millimeters, unless otherwise specified

SVTS C 06



Custom cable length increase possible as multiples of 500mm

Model	Number of circuits			L		Color code	
	Total	Power 20A	Signals 5A	IP51	IP65	IP51 p. 82	IP65
SVTS C 06-X-A-06/00	6	6	-	60.5	81.5	CC 5	CC 7
SVTS C 06-X-A-00/12	12	-	12	60.5	81.5	CC 5	CC 7
SVTS C 06-X-A-12/00	12	12	-	90.5	111.5	CC 5	CC 7
SVTS C 06-X-A-06/12	18	6	12	90.5	111.5	CC 5	CC 7
SVTS C 06-X-A-00/24	24	-	24	90.5	111.5	CC 5	CC 7
SVTS C 06-X-A-18/00	18	18	-	120.5	141.5	CC 5	CC 7
SVTS C 06-X-A-12/12	24	12	12	120.5	141.5	CC 5	CC 7
SVTS C 06-X-A-06/24	30	6	24	120.5	141.5	CC 5	CC 7
SVTS C 06-X-A-00/36	36	-	36	120.5	141.5	CC 5	CC 7
SVTS C 06-X-A-24/00	24	24	-	150.5	171.5	CC 5	CC 7
SVTS C 06-X-A-18/12	30	18	12	150.5	171.5	CC 5	CC 7
SVTS C 06-X-A-12/24	36	12	24	150.5	171.5	CC 5	CC 7
SVTS C 06-X-A-00/36	42	6	36	150.5	171.5	CC 5	CC 7
SVTS C 06-X-A-00/48	48	-	48	150.5	171.5	CC 5	CC 7
SVTS C 06-X-A-30/00	30	30	-	180.5	201.5	CC 5	CC 7
SVTS C 06-X-A-24/12	36	24	12	180.5	201.5	CC 5	CC 7
SVTS C 06-X-A-18/24	42	18	24	180.5	201.5	CC 5	CC 7
SVTS C 06-X-A-12/36	48	12	36	180.5	201.5	CC 5	CC 7
SVTS C 06-X-A-06/48	54	6	48	180.5	201.5	CC 5	CC 7
SVTS C 06-X-A-00/60	60	-	60	180.5	201.5	CC 5	CC 7
SVTS C 06-X-A-36/00	36	36	-	210.5	231.5	CC 5	CC 7
SVTS C 06-X-A-30/12	42	30	12	210.5	231.5	CC 5	CC 7
SVTS C 06-X-A-24/24	48	24	24	210.5	231.5	CC 5	CC 7
SVTS C 06-X-A-18/36	54	18	36	210.5	231.5	CC 5	CC 7
SVTS C 06-X-A-12/48	60	12	48	210.5	231.5	CC 5	CC 7
SVTS C 06-X-A-06/60	66	6	60	210.5	231.5	CC 5	CC 7
SVTS C 06-X-A-18/36	54	18	36	210.5	231.5	CC 5	CC 7
SVTS C 06-X-A-12/48	60	12	48	210.5	231.5	CC 5	CC 7
SVTS C 06-X-A-06/60	66	6	60	210.5	231.5	CC 5	CC 7
SVTS C 06-X-A-00/72	72	-	72	210.5	231.5	CC 5	CC 7

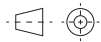
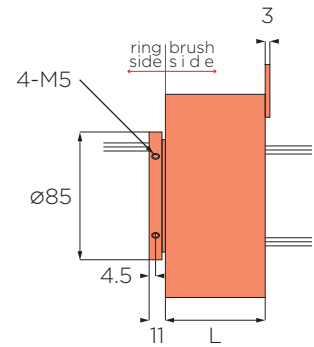
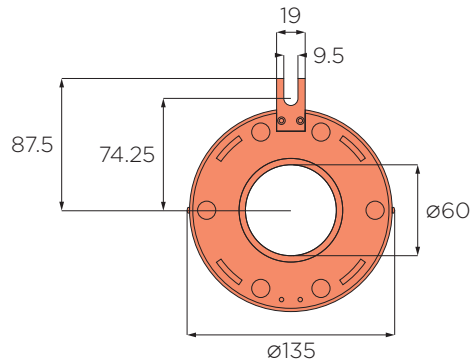
All dimensions in millimeters, unless otherwise specified

Ethernet option*

Model	Number of circuits			Ethernet	L		Color code	
	Total	Power 20A	Signal 5A		IP51	IP65	IP51 p. 82	IP65
SVTS C 06-x-A-00/00-...-E1M	5	-	-	100BaseT	60.5	81.5	CC 5	CC 7
SVTS C 06-x-A-06/00-...-E1M	11	6	-	100BaseT	90.5	111.5	CC 5	CC 7
SVTS C 06-x-A-00/12-...-E1M	17	-	12	100BaseT	90.5	111.5	CC 5	CC 7
SVTS C 06-x-A-12/00-...-E1M	17	12	-	100BaseT	120.5	141.5	CC 5	CC 7
SVTS C 06-x-A-06/12-...-E1M	23	6	12	100BaseT	120.5	141.5	CC 5	CC 7
SVTS C 06-x-A-00/24-...-E1M	29	-	24	100BaseT	120.5	141.5	CC 5	CC 7
SVTS C 06-x-A-18/00-...-E1M	23	18	-	100BaseT	150.5	171.5	CC 5	CC 7
SVTS C 06-x-A-12/12-...-E1M	29	12	12	100BaseT	150.5	171.5	CC 5	CC 7
SVTS C 06-x-A-06/24-...-E1M	35	6	24	100BaseT	150.5	171.5	CC 5	CC 7
SVTS C 06-x-A-00/36-...-E1M	41	-	36	100BaseT	150.5	171.5	CC 5	CC 7
SVTS C 06-x-A-24/00-...-E1M	29	24	-	100BaseT	180.5	201.5	CC 5	CC 7
SVTS C 06-x-A-18/12-...-E1M	35	18	12	100BaseT	180.5	201.5	CC 5	CC 7
SVTS C 06-x-A-12/24-...-E1M	41	12	24	100BaseT	180.5	201.5	CC 5	CC 7
SVTS C 06-x-A-06/36-...-E1M	47	6	36	100BaseT	180.5	201.5	CC 5	CC 7
SVTS C 06-x-A-00/48-...-E1M	53	-	48	100BaseT	180.5	201.5	CC 5	CC 7
SVTS C 06-x-A-30/00-...-E1M	35	30	-	100BaseT	210.5	231.5	CC 5	CC 7
SVTS C 06-x-A-24/12-...-E1M	41	24	12	100BaseT	210.5	231.5	CC 5	CC 7
SVTS C 06-x-A-18/24-...-E1M	47	18	24	100BaseT	210.5	231.5	CC 5	CC 7
SVTS C 06-x-A-12/36-...-E1M	53	12	36	100BaseT	210.5	231.5	CC 5	CC 7
SVTS C 06-x-A-06/48-...-E1M	59	6	48	100BaseT	210.5	231.5	CC 5	CC 7
SVTS C 06-x-A-00/60-...-E1M	65	-	60	100BaseT	210.5	231.5	CC 5	CC 7

*CAT5e Ethernet cable and CAT6 RJ45 connectors included

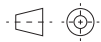
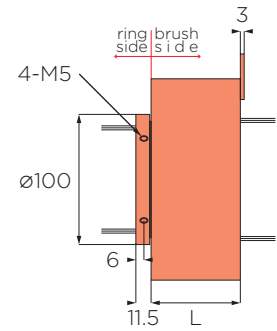
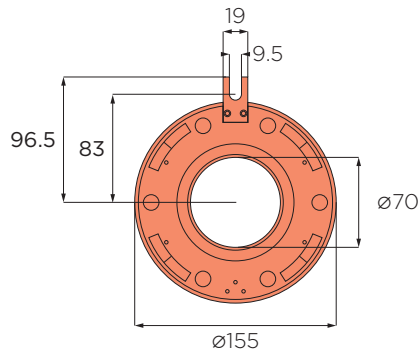
SVTS C 07



Custom cable length increase possible as multiples of 500mm

Model	Number of circuits			L		Color code	
	Total	Power 20A	Signals 5A	IP51	IP65	IP51 p. 82	IP65
SVTS C 07-X-A-06/00	6	6	-	66.5	80.5	CC 5	CC 7
SVTS C 07-X-A-00/12	12	-	12	66.5	80.5	CC 5	CC 7
SVTS C 07-X-A-12/00	12	12	-	96.5	110.5	CC 5	CC 7
SVTS C 07-X-A-06/12	18	6	12	96.5	110.5	CC 5	CC 7
SVTS C 07-X-A-00/24	24	-	24	96.5	110.5	CC 5	CC 7
SVTS C 07-X-A-18/00	18	18	-	126.5	140.5	CC 5	CC 7
SVTS C 07-X-A-12/12	24	12	12	126.5	140.5	CC 5	CC 7
SVTS C 07-X-A-06/24	30	6	24	126.5	140.5	CC 5	CC 7
SVTS C 07-X-A-00/36	36	-	36	126.5	140.5	CC 5	CC 7
SVTS C 07-X-A-24/00	24	24	-	156.5	170.5	CC 5	CC 7
SVTS C 07-X-A-18/12	30	18	12	156.5	170.5	CC 5	CC 7
SVTS C 07-X-A-12/24	36	12	24	156.5	170.5	CC 5	CC 7
SVTS C 07-X-A-06/36	42	6	36	156.5	170.5	CC 5	CC 7
SVTS C 07-X-A-00/48	48	-	48	156.5	170.5	CC 5	CC 7
SVTS C 07-X-A-30/00	30	30	-	186.5	200.5	CC 5	CC 7
SVTS C 07-X-A-24/12	36	24	12	186.5	200.5	CC 5	CC 7
SVTS C 07-X-A-18/24	42	18	24	186.5	200.5	CC 5	CC 7
SVTS C 07-X-A-12/36	48	12	36	186.5	200.5	CC 5	CC 7
SVTS C 07-X-A-06/48	54	6	48	186.5	200.5	CC 5	CC 7
SVTS C 07-X-A-00/60	60	-	60	186.5	200.5	CC 5	CC 7
SVTS C 07-X-A-36/00	36	36	-	216.5	230.5	CC 5	CC 7
SVTS C 07-X-A-30/12	42	30	12	216.5	230.5	CC 5	CC 7
SVTS C 07-X-A-24/24	48	24	24	216.5	230.5	CC 5	CC 7
SVTS C 07-X-A-18/36	54	18	36	216.5	230.5	CC 5	CC 7
SVTS C 07-X-A-12/48	60	12	48	216.5	230.5	CC 5	CC 7
SVTS C 07-X-A-06/60	66	6	60	216.5	230.5	CC 5	CC 7
SVTS C 07-X-A-00/72	72	-	72	216.5	230.5	CC 5	CC 7
SVTS C 07-X-A-42/00	42	42	-	246.5	260.5	CC 5	CC 7
SVTS C 07-X-A-36/12	48	36	12	246.5	260.5	CC 5	CC 7
SVTS C 07-X-A-30/24	54	30	24	246.5	260.5	CC 5	CC 7
SVTS C 07-X-A-24/36	60	24	36	246.5	260.5	CC 5	CC 7
SVTS C 07-X-A-18/48	66	18	48	246.5	260.5	CC 5	CC 7
SVTS C 07-X-A-12/60	72	12	60	246.5	260.5	CC 5	CC 7
SVTS C 07-X-A-06/72	78	6	72	246.5	260.5	CC 5	CC 7
SVTS C 07-X-A-00/84	84	-	84	246.5	260.5	CC 5	CC 7
SVTS C 07-X-A-48/00	48	48	-	276.5	290.5	CC 5	CC 7
SVTS C 07-X-A-42/12	54	42	12	276.5	290.5	CC 5	CC 7
SVTS C 07-X-A-36/24	60	36	24	276.5	290.5	CC 5	CC 7
SVTS C 07-X-A-30/36	66	30	36	276.5	290.5	CC 5	CC 7
SVTS C 07-X-A-24/48	72	24	48	276.5	290.5	CC 5	CC 7
SVTS C 07-X-A-18/60	78	18	60	276.5	290.5	CC 5	CC 7
SVTS C 07-X-A-12/72	84	12	72	276.5	290.5	CC 5	CC 7
SVTS C 07-X-A-06/84	90	6	84	276.5	290.5	CC 5	CC 7
SVTS C 07-X-A-00/96	96	-	96	276.5	290.5	CC 5	CC 7

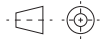
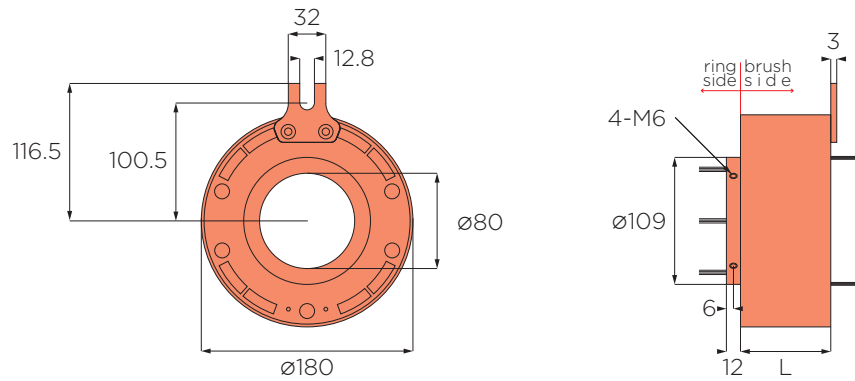
SVTS C 08



Custom cable length increase possible as multiples of 500mm

Model	Number of circuits			L		Color code	
	Total	Power 20A	Signals 5A	IP51	IP65	IP51 p. 82	IP65
SVTS C 08-X-A-06/00	6	6	-	69.3	93.3	CC 5	CC 7
SVTS C 08-X-A-00/12	12	-	12	69.3	93.3	CC 5	CC 7
SVTS C 08-X-A-12/00	12	12	-	99.3	123.3	CC 5	CC 7
SVTS C 08-X-A-06/12	18	6	12	99.3	123.3	CC 5	CC 7
SVTS C 08-X-A-00/24	24	-	24	99.3	123.3	CC 5	CC 7
SVTS C 08-X-A-18/00	18	18	-	129.3	153.3	CC 5	CC 7
SVTS C 08-X-A-12/12	24	12	12	129.3	153.3	CC 5	CC 7
SVTS C 08-X-A-06/24	30	6	24	129.3	153.3	CC 5	CC 7
SVTS C 08-X-A-00/36	36	-	36	129.3	153.3	CC 5	CC 7
SVTS C 08-X-A-24/00	24	24	-	159.3	183.3	CC 5	CC 7
SVTS C 08-X-A-18/12	30	18	12	159.3	183.3	CC 5	CC 7
SVTS C 08-X-A-12/24	36	12	24	159.3	183.3	CC 5	CC 7
SVTS C 08-X-A-06/36	42	6	36	159.3	183.3	CC 5	CC 7
SVTS C 08-X-A-00/48	48	-	48	159.3	183.3	CC 5	CC 7
SVTS C 08-X-A-30/00	30	30	-	189.3	213.3	CC 5	CC 7
SVTS C 08-X-A-24/12	36	24	12	189.3	213.3	CC 5	CC 7
SVTS C 08-X-A-18/24	42	18	24	189.3	213.3	CC 5	CC 7
SVTS C 08-X-A-12/36	48	12	36	189.3	213.3	CC 5	CC 7
SVTS C 08-X-A-06/48	54	6	48	189.3	213.3	CC 5	CC 7
SVTS C 08-X-A-00/60	60	-	60	189.3	213.3	CC 5	CC 7
SVTS C 08-X-A-36/00	36	36	-	220	244	CC 5	CC 7
SVTS C 08-X-A-30/12	42	30	12	220	244	CC 5	CC 7
SVTS C 08-X-A-24/24	48	24	24	220	244	CC 5	CC 7
SVTS C 08-X-A-18/36	54	18	36	220	244	CC 5	CC 7
SVTS C 08-X-A-12/48	60	12	48	220	244	CC 5	CC 7
SVTS C 08-X-A-06/60	66	6	60	220	244	CC 5	CC 7
SVTS C 08-X-A-00/72	72	-	72	220	244	CC 5	CC 7
SVTS C 08-X-A-42/00	42	42	-	250	274	CC 5	CC 7
SVTS C 08-X-A-36/12	48	36	12	250	274	CC 5	CC 7
SVTS C 08-X-A-30/24	54	30	24	250	274	CC 5	CC 7
SVTS C 08-X-A-24/36	60	24	36	250	274	CC 5	CC 7
SVTS C 08-X-A-18/48	66	18	48	250	274	CC 5	CC 7
SVTS C 08-X-A-12/60	72	12	60	250	274	CC 5	CC 7
SVTS C 08-X-A-06/72	78	6	72	250	274	CC 5	CC 7
SVTS C 08-X-A-00/84	84	-	84	250	274	CC 5	CC 7
SVTS C 08-X-A-48/00	48	48	-	280	304	CC 5	CC 7
SVTS C 08-X-A-42/12	54	42	12	280	304	CC 5	CC 7
SVTS C 08-X-A-36/24	60	36	24	280	304	CC 5	CC 7
SVTS C 08-X-A-30/36	66	30	36	280	304	CC 5	CC 7
SVTS C 08-X-A-24/48S	72	24	48	280	304	CC 5	CC 7
SVTS C 08-X-A-18/60	48	18	60	280	304	CC 5	CC 7
SVTS C 08-X-A-12/72	84	12	72	280	304	CC 5	CC 7
SVTS C 08-X-A-06/84	90	6	84	280	304	CC 5	CC 7
SVTS C 08-X-A-00/96	96	-	96	280	304	CC 5	CC 7

SVTS C 09

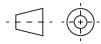
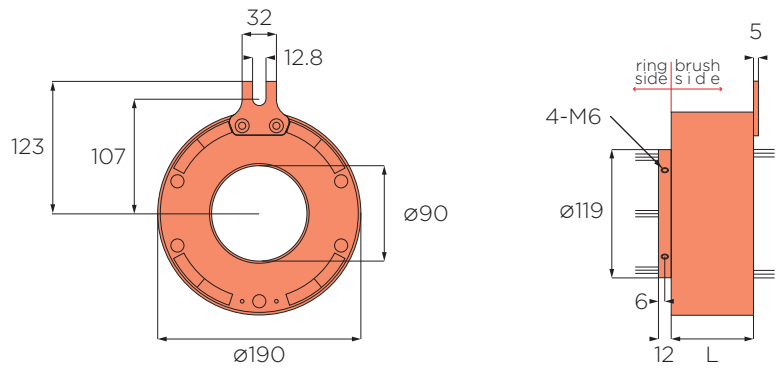


Custom cable length increase possible as multiples of 500mm

Model	Number of circuits			L		Color code	
	Total	Power 20A	Signals 5A	IP51	IP65	IP51 p. 82	IP65
SVTS C 09-X-A-06/00	6	6	-	76.5	109	CC 5	CC 7
SVTS C 09-X-A-00/12	12	-	12	76.5	109	CC 5	CC 7
SVTS C 09-X-A-12/00	12	12	-	106.5	139	CC 5	CC 7
SVTS C 09-X-A-06/12	18	6	12	106.5	139	CC 5	CC 7
SVTS C 09-X-A-00/24	24	-	24	106.5	139	CC 5	CC 7
SVTS C 09-X-A-18/00	18	18	-	136.5	169	CC 5	CC 7
SVTS C 09-X-A-12/12	24	12	12	136.5	169	CC 5	CC 7
SVTS C 09-X-A-06/24	30	6	24	136.5	169	CC 5	CC 7
SVTS C 09-X-A-00/36	36	-	36	136.5	169	CC 5	CC 7
SVTS C 09-X-A-24/00	24	24	-	136.5	199	CC 5	CC 7
SVTS C 09-X-A-18/12	30	18	12	136.5	199	CC 5	CC 7
SVTS C 09-X-A-12/24	36	12	24	136.5	199	CC 5	CC 7
SVTS C 09-X-A-06/36	42	6	36	136.5	199	CC 5	CC 7
SVTS C 09-X-A-00/48	48	-	48	136.5	199	CC 5	CC 7
SVTS C 09-X-A-30/00	30	30	-	196.5	229	CC 5	CC 7
SVTS C 09-X-A-24/12	36	24	12	196.5	229	CC 5	CC 7
SVTS C 09-X-A-18/24	42	18	24	196.5	229	CC 5	CC 7
SVTS C 09-X-A-12/36	48	12	36	196.5	229	CC 5	CC 7
SVTS C 09-X-A-06/48	54	6	48	196.5	229	CC 5	CC 7
SVTS C 09-X-A-00/60	60	-	60	196.5	229	CC 5	CC 7
SVTS C 09-X-A-36/00	36	36	-	227	259	CC 5	CC 7
SVTS C 09-X-A-30/12	42	30	12	227	259	CC 5	CC 7
SVTS C 09-X-A-24/24	48	24	24	227	259	CC 5	CC 7
SVTS C 09-X-A-18/36	54	18	36	227	259	CC 5	CC 7
SVTS C 09-X-A-12/48	60	12	48	227	259	CC 5	CC 7
SVTS C 09-X-A-06/60	66	6	60	227	259	CC 5	CC 7
SVTS C 09-X-A-00/72	72	-	72	227	259	CC 5	CC 7
SVTS C 09-X-A-42/00	42	42	-	257	289	CC 5	CC 7
SVTS C 09-X-A-36/12	48	36	12	257	289	CC 5	CC 7
SVTS C 09-X-A-30/24	54	30	24	257	289	CC 5	CC 7
SVTS C 09-X-A-24/36	60	24	36	257	289	CC 5	CC 7
SVTS C 09-X-A-18/48	66	18	48	257	289	CC 5	CC 7
SVTS C 09-X-A-12/60	72	12	60	257	289	CC 5	CC 7
SVTS C 09-X-A-06/72	78	6	72	257	289	CC 5	CC 7
SVTS C 09-X-A-00/84	84	-	84	257	289	CC 5	CC 7
SVTS C 09-X-A-48/00	48	48	-	287	319	CC 5	CC 7
SVTS C 09-X-A-42/12	54	42	12	287	319	CC 5	CC 7
SVTS C 09-X-A-36/24	60	36	24	287	319	CC 5	CC 7
SVTS C 09-X-A-30/36	66	30	36	287	319	CC 5	CC 7
SVTS C 09-X-A-24/48	72	24	48	287	319	CC 5	CC 7
SVTS C 09-X-A-18/60	78	18	60	287	319	CC 5	CC 7
SVTS C 09-X-A-12/72	84	12	72	287	319	CC 5	CC 7
SVTS C 09-X-A-06/84	90	6	84	287	319	CC 5	CC 7
SVTS C 09-X-A-00/96	96	-	96	287	319	CC 5	CC 7

All dimensions in millimeters, unless otherwise specified

SVTS C 10

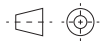
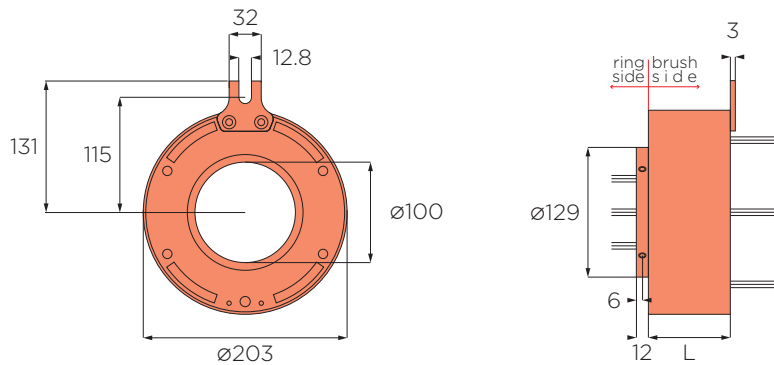


Custom cable length increase possible as multiples of 500mm

Model	Number of circuits			L		Color code	
	Total	Power 20A	Signals 5A	IP51	IP65	IP51 p. 82	IP65
SVTS C 10-X-A-06/00	6	6	-	76.5	105	CC 5	CC 7
SVTS C 10-X-A-00/12	12	-	12	76.5	105	CC 5	CC 7
SVTS C 10-X-A-12/00	12	12	-	106.5	135	CC 5	CC 7
SVTS C 10-X-A-06/12	18	6	12	106.5	135	CC 5	CC 7
SVTS C 10-X-A-00/24	24	-	24	106.5	135	CC 5	CC 7
SVTS C 10-X-A-18/00	18	18	-	106.5	165	CC 5	CC 7
SVTS C 10-X-A-12/12	24	12	12	136.5	165	CC 5	CC 7
SVTS C 10-X-A-06/24	30	6	24	136.5	165	CC 5	CC 7
SVTS C 10-X-A-00/36	36	-	36	136.5	165	CC 5	CC 7
SVTS C 10-X-A-24/00	24	24	-	136.5	195	CC 5	CC 7
SVTS C 10-X-A-18/12	30	18	12	136.5	195	CC 5	CC 7
SVTS C 10-X-A-12/24	36	12	24	136.5	195	CC 5	CC 7
SVTS C 10-X-A-06/36	42	6	36	136.5	195	CC 5	CC 7
SVTS C 10-X-A-00/48	48	-	48	136.5	195	CC 5	CC 7
SVTS C 10-X-A-30/00	30	30	-	196.5	225	CC 5	CC 7
SVTS C 10-X-A-24/12	36	24	12	196.5	225	CC 5	CC 7
SVTS C 10-X-A-18/24	42	18	24	196.5	225	CC 5	CC 7
SVTS C 10-X-A-12/36	48	12	36	196.5	225	CC 5	CC 7
SVTS C 10-X-A-06/48	54	6	48	196.5	225	CC 5	CC 7
SVTS C 10-X-A-00/60	60	-	60	196.5	225	CC 5	CC 7
SVTS C 10-X-A-36/00	36	36	-	227	255.5	CC 5	CC 7
SVTS C 10-X-A-30/12	42	30	12	227	255.5	CC 5	CC 7
SVTS C 10-X-A-24/24	48	24	24	227	255.5	CC 5	CC 7
SVTS C 10-X-A-18/36	54	18	36	227	255.5	CC 5	CC 7
SVTS C 10-X-A-12/48	60	12	48	227	255.5	CC 5	CC 7
SVTS C 10-X-A-06/60	66	6	60	227	255.5	CC 5	CC 7
SVTS C 10-X-A-00/72	72	-	72	227	255.5	CC 5	CC 7
SVTS C 10-X-A-42/00	42	42	-	257	285.5	CC 5	CC 7
SVTS C 10-X-A-36/12	48	36	12	257	285.5	CC 5	CC 7
SVTS C 10-X-A-30/24	54	30	24	257	285.5	CC 5	CC 7
SVTS C 10-X-A-24/36	60	24	36	257	285.5	CC 5	CC 7
SVTS C 10-X-A-18/48	66	18	48	257	285.5	CC 5	CC 7
SVTS C 10-X-A-12/60	72	12	60	257	285.5	CC 5	CC 7
SVTS C 10-X-A-06/72	78	6	72	257	285.5	CC 5	CC 7
SVTS C 10-X-A-00/84	84	-	84	257	285.5	CC 5	CC 7
SVTS C 10-X-A-48/00	48	48	-	287	315.5	CC 5	CC 7
SVTS C 10-X-A-42/12	54	42	12	287	315.5	CC 5	CC 7
SVTS C 10-X-A-36/24	60	36	24	287	315.5	CC 5	CC 7
SVTS C 10-X-A-30/36	66	30	36	287	315.5	CC 5	CC 7
SVTS C 10-X-A-24/48	72	24	48	287	315.5	CC 5	CC 7
SVTS C 10-X-A-18/60	78	18	60	287	315.5	CC 5	CC 7
SVTS C 10-X-A-12/72	84	12	72	287	315.5	CC 5	CC 7
SVTS C 10-X-A-06/84	90	6	84	287	315.5	CC 5	CC 7
SVTS C 10-X-A-00/96	96	-	96	287	315.5	CC 5	CC 7

All dimensions in millimeters, unless otherwise specified

SVTS C 11



Custom cable length increase possible as multiples of 500mm

Model	Number of circuits			L		Color code	
	Total	Power 20A	Signals 5A	IP51	IP65	IP51 p. 82	IP65
SVTS C 11-X-A-06/00	6	6	-	81.5	106.5	CC 6	CC 8
SVTS C 11-X-A-00/10	10	-	10	81.5	106.5	CC 6	CC 8
SVTS C 11-X-A-12/00	12	12	-	113	138	CC 6	CC 8
SVTS C 11-X-A-06/10	16	6	10	113	138	CC 6	CC 8
SVTS C 11-X-A-00/20	20	-	20	113	138	CC 6	CC 8
SVTS C 11-X-A-18/00	18	18	-	144.5	169.5	CC 6	CC 8
SVTS C 11-X-A-12/10	22	12	10	144.5	169.5	CC 6	CC 8
SVTS C 11-X-A-06/20	26	6	20	144.5	169.5	CC 6	CC 8
SVTS C 11-X-A-00/30	30	-	30	144.5	169.5	CC 6	CC 8
SVTS C 11-X-A-24/00	24	24	-	176	201	CC 6	CC 8
SVTS C 11-X-A-18/10	28	18	10	176	201	CC 6	CC 8
SVTS C 11-X-A-12/20	32	12	20	176	201	CC 6	CC 8
SVTS C 11-X-A-06/30	36	6	30	176	201	CC 6	CC 8
SVTS C 11-X-A-00/40	40	-	40	176	201	CC 6	CC 8
SVTS C 11-X-A-30/00	30	30	-	207.5	232.5	CC 6	CC 8
SVTS C 11-X-A-24/10	34	24	10	207.5	232.5	CC 6	CC 8
SVTS C 11-X-A-18/20	38	18	20	207.5	232.5	CC 6	CC 8
SVTS C 11-X-A-12/30	42	12	30	207.5	232.5	CC 6	CC 8
SVTS C 11-X-A-06/40	46	6	40	207.5	232.5	CC 6	CC 8
SVTS C 11-X-A-00/50	50	-	50	207.5	232.5	CC 6	CC 8
SVTS C 11-X-A-36/00	36	36	-	239	264	CC 6	CC 8
SVTS C 11-X-A-30/10	40	30	10	239	264	CC 6	CC 8
SVTS C 11-X-A-24/20	44	24	20	239	264	CC 6	CC 8
SVTS C 11-X-A-18/30	48	18	30	239	264	CC 6	CC 8
SVTS C 11-X-A-12/40	52	12	40	239	264	CC 6	CC 8
SVTS C 11-X-A-06/50	56	6	50	239	264	CC 6	CC 8
SVTS C 11-X-A-00/60	60	-	60	239	264	CC 6	CC 8
SVTS C 11-X-A-42/00	42	42	-	270.5	295.5	CC 6	CC 8
SVTS C 11-X-A-36/10	46	36	10	270.5	295.5	CC 6	CC 8
SVTS C 11-X-A-30/20	50	30	20	270.5	295.5	CC 6	CC 8
SVTS C 11-X-A-24/30	54	24	30	270.5	295.5	CC 6	CC 8
SVTS C 11-X-A-18/40	58	18	40	270.5	295.5	CC 6	CC 8
SVTS C 11-X-A-12/50	62	12	50	270.5	295.5	CC 6	CC 8
SVTS C 11-X-A-06/60	66	6	60	270.5	295.5	CC 6	CC 8
SVTS C 11-X-A-00/70	70	-	70	270.5	295.5	CC 6	CC 8
SVTS C 11-X-A-48/00	48	48	-	302	327	CC 6	CC 8
SVTS C 11-X-A-42/10	52	42	10	302	327	CC 6	CC 8
SVTS C 11-X-A-36/20	56	36	20	302	327	CC 6	CC 8
SVTS C 11-X-A-30/30	60	30	30	302	327	CC 6	CC 8
SVTS C 11-X-A-24/40	64	24	40	302	327	CC 6	CC 8
SVTS C 11-X-A-18/50	68	18	50	302	327	CC 6	CC 8
SVTS C 11-X-A-12/60	72	12	60	302	327	CC 6	CC 8
SVTS C 11-X-A-06/70	76	6	70	302	327	CC 6	CC 8
SVTS C 11-X-A-00/80	80	-	80	302	327	CC 6	CC 8

All dimensions in millimeters, unless otherwise specified

Notes
