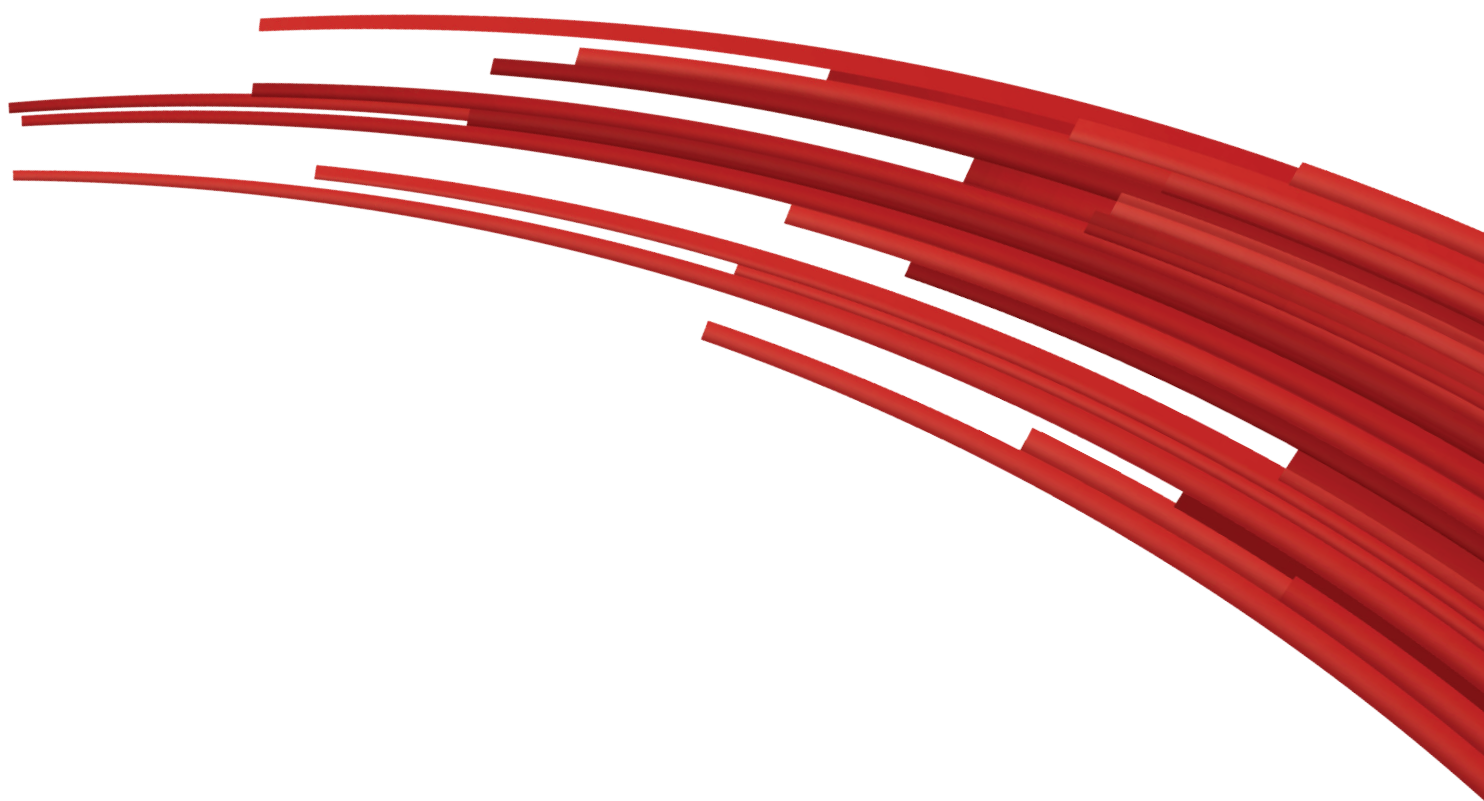


Connecting dots.
Providing Solutions.





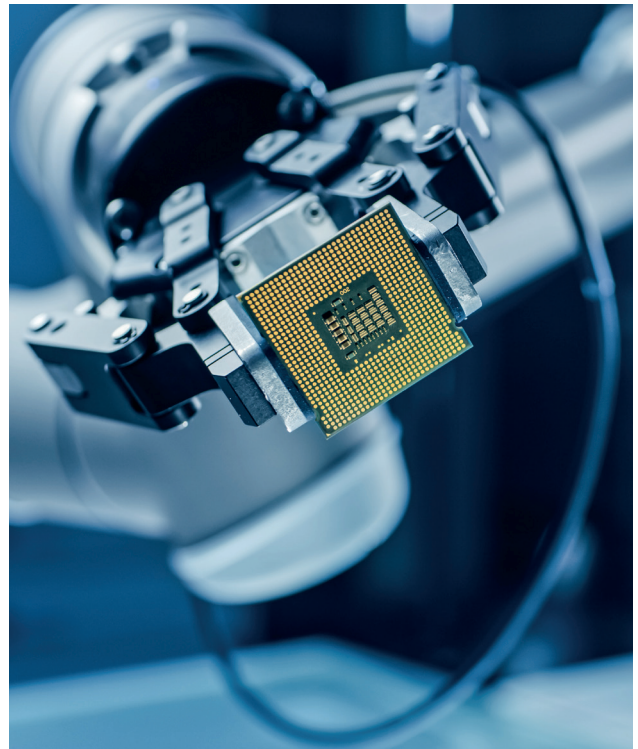
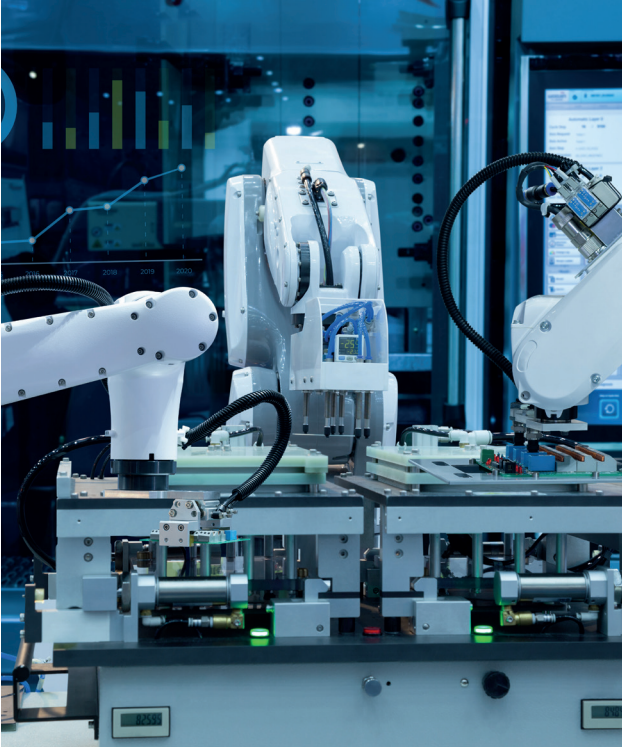
Expertise at your service

All-around services and solutions. A product selection and software development are the best proposal for specific applications.

In the automation and motion control industry since 1980, Servotecnica manufactures and proposes unique products based on cutting-edge technologies developed by leading global manufacturers.

The concernment of giving a wide range of products guarantees its presence in all sectors of the industry requiring high performances, skilled engineers, reducing machine developing time and offering a service support which grants a reliable partner for your applications.

Industries



SVTM A Series

Brushless Motors



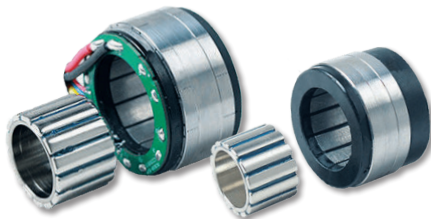
Customisable



Robust



Low voltage



Our Brushless motors (SVTM A Series) feature a type IC 400 construction - this means the motor is totally enclosed and does not need any kind of additional ventilation; this also allows for an IP65 degree of protection on the housing.

To ensure higher service life, most insulating materials are rated in the 200-degree class. In addition, the stator pack design with winding in the groove and using Neodymium magnets ensures high performance with small dimensions, resulting in a sinusoidal electromotive force.

Benefits

High efficiency

Brake option

Low voltage

IP65 water resistant standard

Many customisation options

Certifications

CE

RoHS 2011/65/EUv


Product code


SVTM A  -  -  - E -  - 


A Series

E Feedback
incremental encoder [E]

 Frame
01 [60]; 02 [80]

 Brake
no [0]; yes [1]

 Stall torque

 Special options

 BEMF

Features

Sealing	IP65* (excluding front shaft)
Winding	3 phase sinusoidal
Operating temperature	-20° +40° C
Construction	IC 400*
Magnets	Neodymium
Construction technology	high density fractional-slot concentrated-windings
Standard feedback	incremental encoder*
Option	brake 24 VDC*

Feedback*

Incremental encoder with hall (standard)	2500 ppr with hall effect
--	---------------------------

Customizations

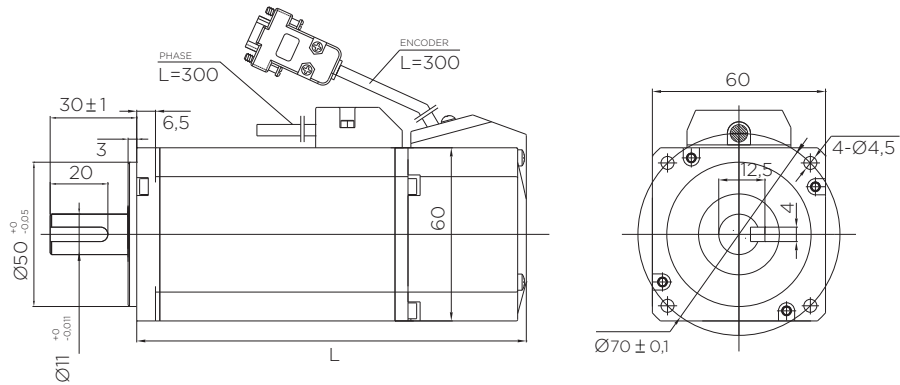
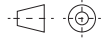
Cables Materials	Mechanical design	Flange
---------------------	-------------------	--------

*Not available for frameless versions

*Not available for low voltage versions

SVTM A 01

Low Voltage



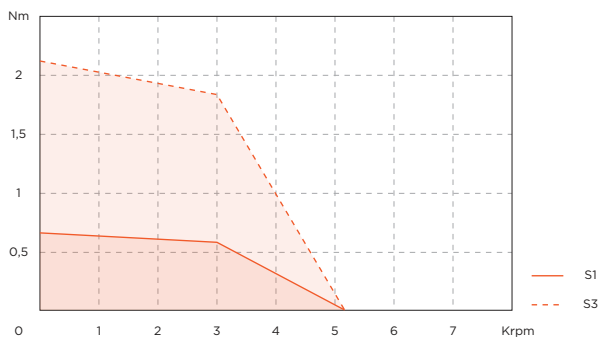
Values	Unit	SVTM A 01 A 01-0.7-06-E-X-K01	A 01-1.4-06-E-X-K01
Frame	Ø mm	60	60
Motor length (L)	mm	86,5	106
Motor length with brake	mm	123	142,5
Nominal voltage	VDC	48	48
Continous stall torque	Nm	0.7	1.4
Continous stall current	Arms	6.6	13.2
Nominal torque	Nm	0.64	1.27
Nominal current	Arms	6	12
Nominal speed	rpm	3000	3000
Peak torque	Nm	1.92	3.81
Peak current	Arms	18	36
Torque constant	Nm/Arms	0.107	0.107
BEMF constant (1)(2)	Vrms/krpm	6.5	6.5
Resistance (1)(2)	Ohm	0,38	0,23
Inductance (1)	mH	0,68	0,3
Rotor inertia	kgcm ²	0,15	0,25
Max. axial load	N	98	98
Max. radial load	N	245	245
Feedback	Encoder inc 2500 + hall		
Mass	kg	1	1,35

(1) Line-line

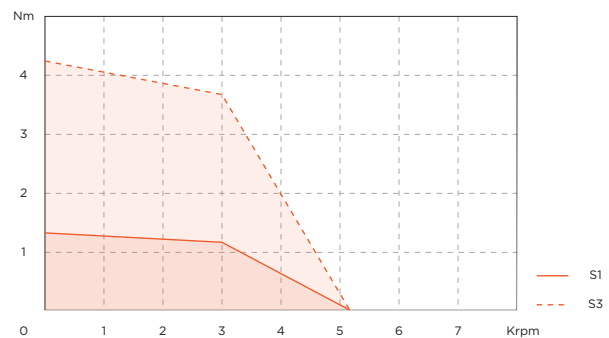
(2) At 20° C

Note: Rated values are calculated at 20°C ambient temperature with an heat sink size of 254x254x6.35 mm

SVTM A 01-0.7-06-E-X-K01



SVTM A 01-1.4-06-E-X-K01

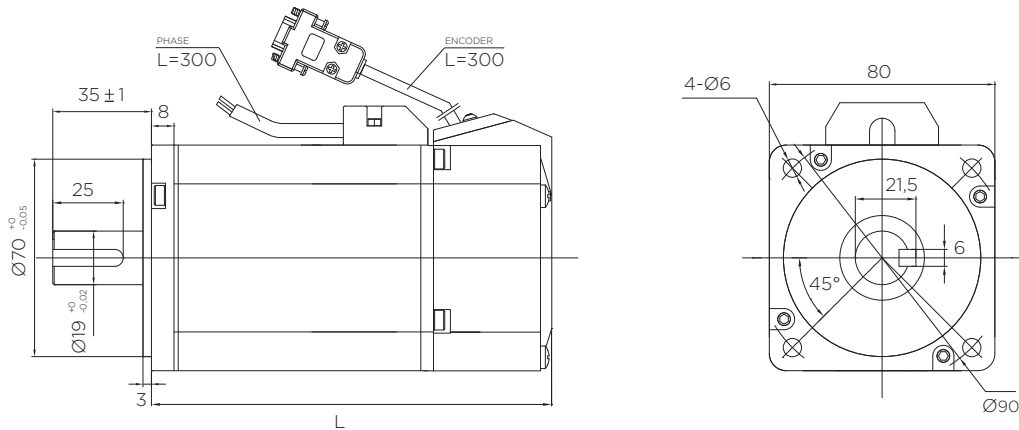
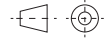


Note:

Rated values are calculated at 20°C ambient temperature with an heat sink size of 254x254x6.35 mm. See next page for frameless version.

SVTM A 02

Low Voltage



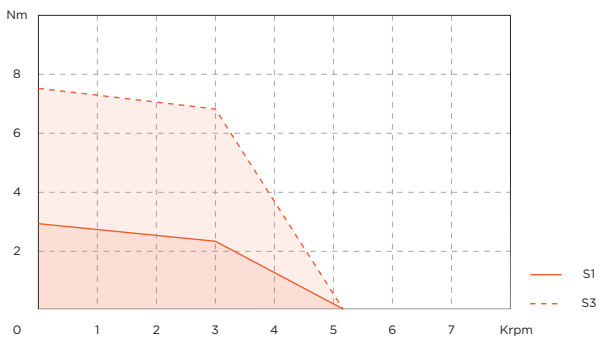
Values	Unit	SVTM A 02	
		A 02-2.62-06-E-X-K01	A 02-3.52-06-E-X-K01
Frame	Ø mm	80	80
Motor length (L)	mm	118	135
Motor length with brake	mm	155	171
Nominal voltage	VDC	48	48
Continuous stall torque	Nm	2.62	3.52
Continuous stall current	Arms	24.4	33
Nominal torque	Nm	2.38	3.2
Nominal current	Arms	22.2	30
Nominal speed	rpm	3000	3000
Peak torque	Nm	7.14	9.6
Peak current	Arms	66.6	90
Torque constant	Nm/Arms	0.107	0.107
BEMF constant (1)(2)	Vrms/krpm	6.5	6.5
Resistance (1)(2)	Ohm	0,064	0,034
Inductance (1)	mH	0,2	0,16
Rotor inertia	kgcm ²	1,56	2,22
Max. axial load	N	147	147
Max. radial load	N	392	392
Feedback	Encoder inc 2500 + hall		
Mass	kg	2,6	3,3

(1) Line-line

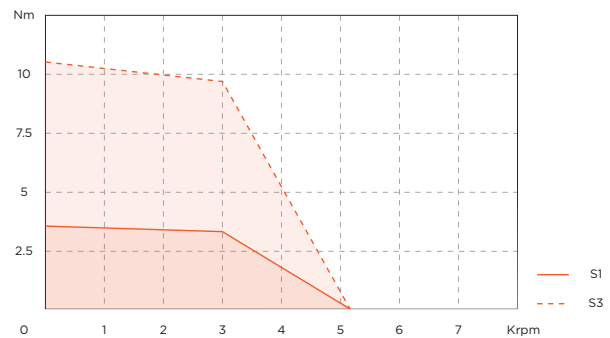
(2) At 20° C

Note: Rated values are calculated at 20°C ambient temperature with an heat sink size of 254x254x6.35 mm

SVTM A 02-2.62-06-E-X-K01



SVTM A 02-3.52-06-E-X-K01

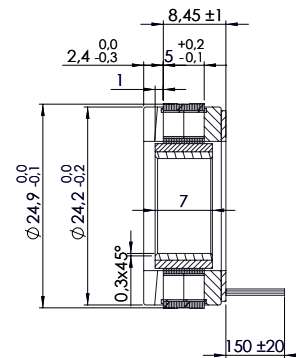
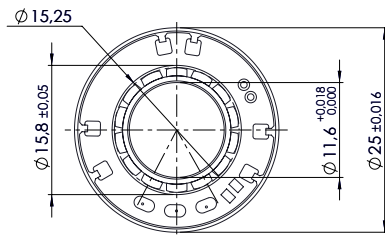
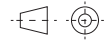


Note:

Rated values are calculated at 20°C ambient temperature with an heat sink size of 254x254x6.35 mm. See next page for frameless version.

SVTM F 00047

Frameless



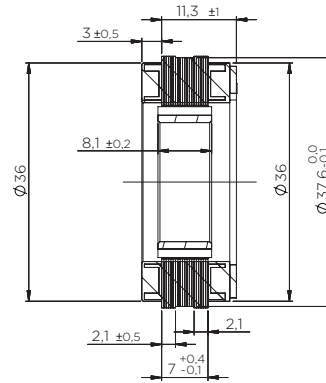
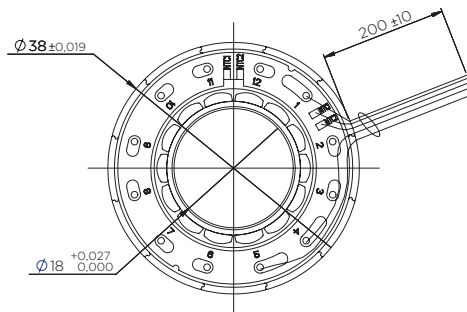
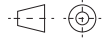
Values	Unit	SVTM F 00047
Nominal Voltage	Vdc	24
Nominal Torque	mNm	32
Nominal Current	A	1,50
Nominal Speed	RPM	10000
Peak Torque	mNm	105
Peak Current	A	5,0
Torque Constant	mNm/A	22,8
Line-Line Resistance (2)	Ohm @20°C	1,7 ±10%
Back EMF constant	Vrms/Krpm	1,37 ±10%
Line-Line Inductance (1)(2)	mH@1KHz	0,6 ± 20%
No-Load Speed	RPM	12300 ±10%
No-Load Current	A	0,50
Number of Poles		14
Rotor Inertia	gr*cm ²	1,17
Weight	gr	18,0

(1) Line-line

(2) At 20° C

SVTM F 00048

Frameless

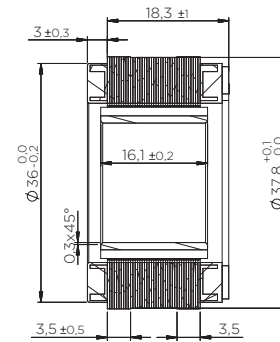
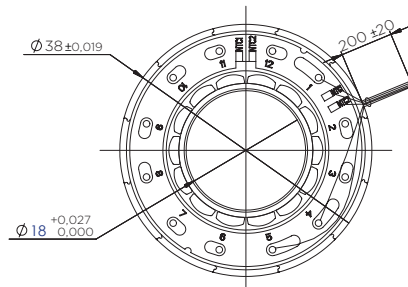
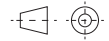


Values	Unit	SVTM F 00048
Nominal Voltage	Vdc	24
Nominal Torque	Nm	0,1
Nominal Current	A	4,50
Nominal Speed	RPM	8000
Peak Torque	Nm	0,3
Peak Current	A	13,5
Torque Constant	mNm/A	25,48
Line-Line Resistance (2)	Ohm @20°C	0,365 ±10%
Back EMF constant	Vrms/Krpm	1,54 ±10%
Line-Line Inductance (1)(2)	mH@1KHz	0,32 ± 20%
No-Load Speed	RPM	11000 ±10%
No-Load Current	A	0,50
Number of Poles		14
Rotor Inertia	gr*cm ²	9,68
Weight	gr	57,2

(1) Line-line
(2) At 20° C

SVTM F 00049

Frameless



Values	Unit	SVTM F 00049
Nominal Voltage	Vdc	48
Nominal Torque	Nm	0,23
Nominal Current	A	3,50
Nominal Speed	RPM	5000
Peak Torque	Nm	0,76
Peak Current	A	11,5
Torque Constant	mNm/A	74,00
Line-Line Resistance (2)	Ohm @20°C	TBD ±10%
Back EMF constant	Vrms/Krpm	4,5 ±10%
Line-Line Inductance (1)(2)	mH@1KHz	TBD ± 20%
No-Load Speed	RPM	7000 ±10%
No-Load Current	A	0,40
Number of Poles		14
Rotor Inertia	gr*cm ²	TBD
Weight	gr	TBD

(1) Line-line

(2) At 20° C

All dimensions in millimeters, unless otherwise specified

Contacts

ITALY - HEADQUARTERS

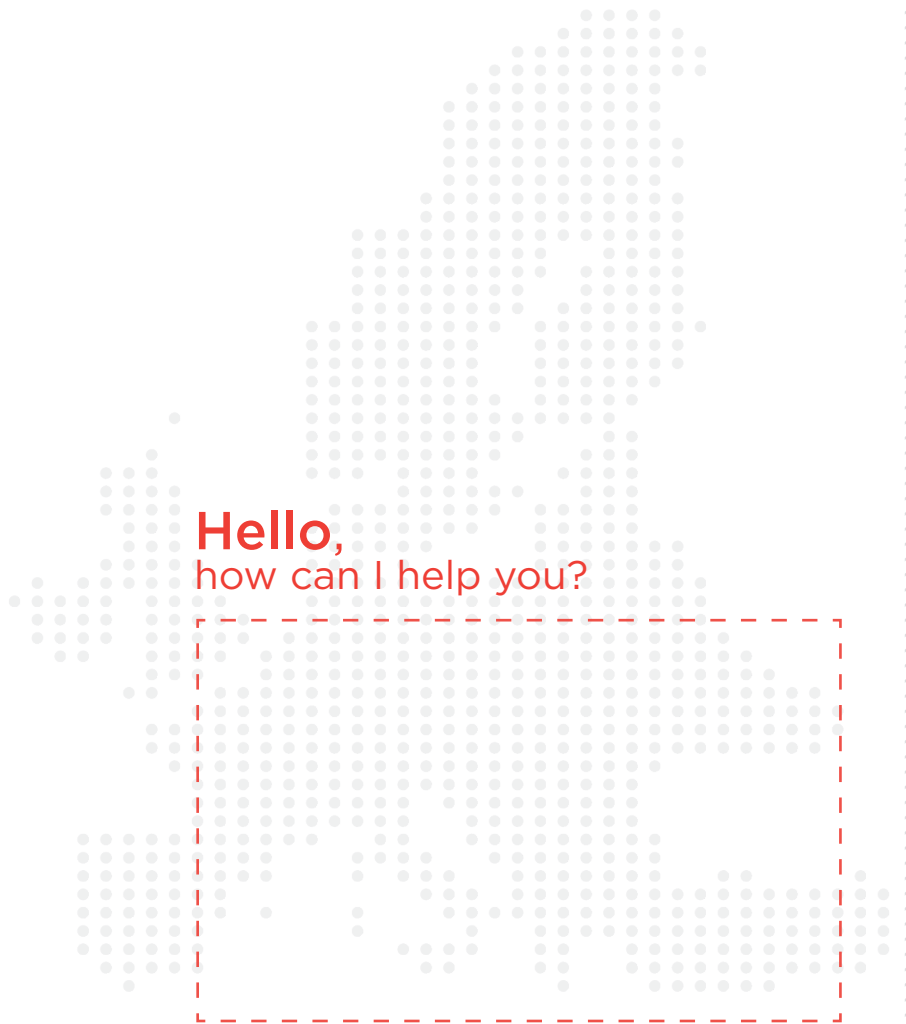
Via E. Majorana 4
20834 Nova Milanese (MB)
T. +39 0362 4921
info@servotecnica.com

GERMANY

Servotecnica GmbH
Kelsterbacher Strasse 20
Raunheim
T. +49 6142 7936039
info@servotecnica.de
www.servotecnica.de

USA

California
T. +1 925-640-7042
mimobersteg@servotecnica.com
www.servotecnica.com



Hello,
how can I help you?



